



# Solenoid valve 2/2 way N.C. With pilot control

21WA3K0B130

÷

21WA4K0B130

## PRESENTATION:

S.V. with pilot control for interception of fluids compatible with the construction materials.

A minimum operational pressure of 0,2 bar is required.

The materials used and the tests carried out ensure maximum reliability and duration.

**USE:** Automation  
Heating

**PIPES:** G 3/8 - G 1/2

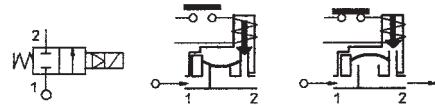
**COILS:** 8W - Ø 13  
 BDA -BDS - BSA 155°C (class F)  
 BDP 160°C (high temperature)  
 BDF 180°C (class H)  
 SDH 180°C (class H)

Max. allowable pressure (PS) 20 bar  
 Environment temperature:  
 with class **F** or high temperature coils - 10°C + 60°C  
 with class **H** coil - 10°C + 80°C



Gaskets	Temperature	Medium
<b>B</b> =NBR (nitrile rubber)	- 10°C + 90°C	Air, inert gas, water
<b>V</b> =FKM (fluoroelastomer)	- 10°C +140°C	mineral oils (2°E),gasoline gas oil

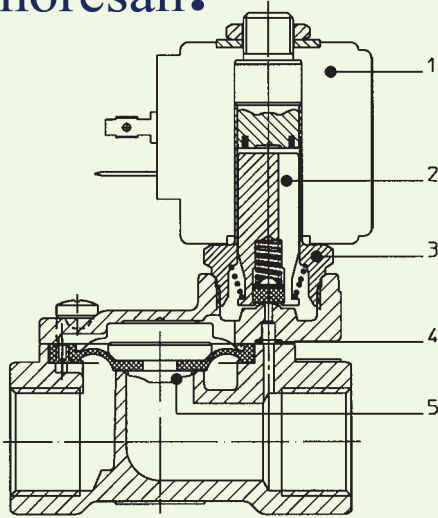
For seals other than NBR replace the letter "B" with the ones corresponding to the other seals. E.I. 21WA3K0V130.



Pipe ISO 228/1	Code	Max viscosity		Ø mm	Kv (l/mn)	Power (watt)	Pressure		
		cSt	°E				min bar	M.O.P.D. AC bar DC bar	
G 3/8	21WA3K0V130	12	~ 2	13	60	8	0,2	16	16
G 1/2	21WA4K0V130				70				



The "ODE" reserves the right to carry out technical and aesthetic modifications without prior notification.



**MATERIALS:**

**Body** Brass - UNI EN 12165 CW617N  
**Armature tube** Stainless steel AISI series 300  
**Fixed core** Stainless steel AISI series 400  
**Plunger** Stainless steel AISI series 400  
**Phase displacement ring** Copper - Cu 99,9%  
**Spring** Stainless steel AISI series 300  
**Seal** Standard: B=NBR  
 On request: V=FKM  
**Orifice** Brass - UNI EN 12165 CW617N

**On request:** Pg 9 or Pg 11  
**Connector** ISO 4400  
**Connector conformity**

**FEATURES:**

**Electrical conformity** IEC 335  
**Protection degree** IP 65 EN 60529 (DIN 40050)  
 with coil fitted by connector.

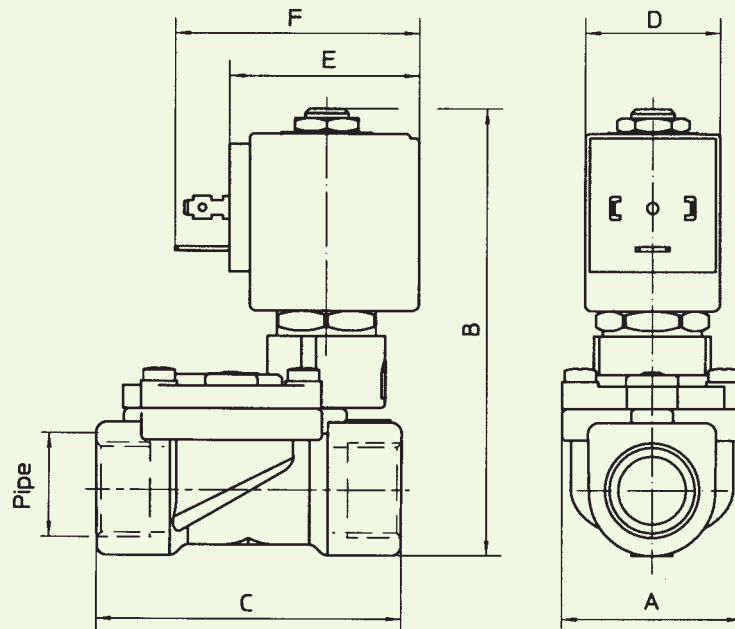
**SPARE PARTS:**

- 1. Coil:**  
See coils list
- 2. Complete plunger:**  
Code R450886/B
- 3. Complete armature tube:**  
Code R450606
- 4. Gasket O-Ring:**  
Code R990300/B
- 5. Complete diaphragm:**  
Code R452186/B

**KIT:**  
KT130KB30-A=2+3

**MAINTENANCE KIT:**  
KTGWA3K0B13=2+4+5

**DIMENSIONS:**



Type	Pipe ISO 228/1	A mm	B mm	C mm
21WA3K0B130	G 3/8	40	97	60
21WA4K0B130	G 1/2			66

COIL W ---	POWER ABSORPTION		TYPE	DIMENSIONS		
	Inrush VA~	Hold VA~		D mm	E mm	F mm
8 W	25	14,5	B	30	42	54
			S	32		