

Symbol

TSV30043



TSV30042



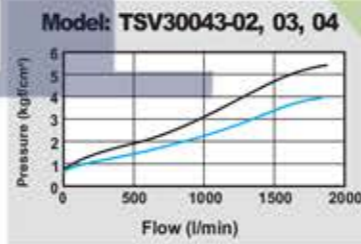
Features

- * Simply operating.
- * Large flow rate.
- * High safety.
- * Light weight.
- * 4 kinds of installation.
- * Cock design for safety operation.

How to order

TSV30043		02	N	B
Rotary valves	Port size	Thread	Valve type	
TSV30043 4/3 way	02 1/4"	Blank PS	Blank Standard	
TSV30042 4/2 way	03 3/8"	N NPT	B Ports on bottom	
	04 1/2"		C With cock device	
			P With panel mounting	

Flow chart

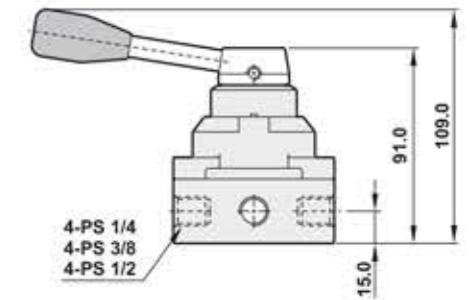
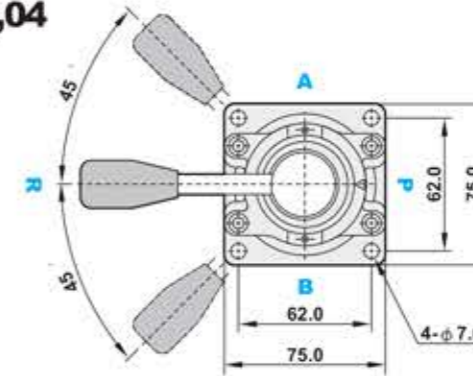


Specifications

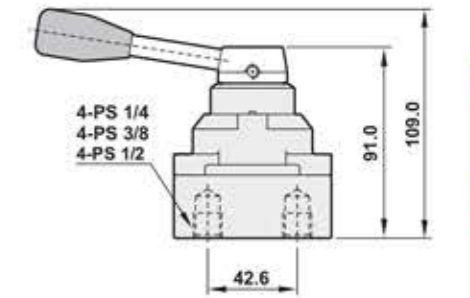
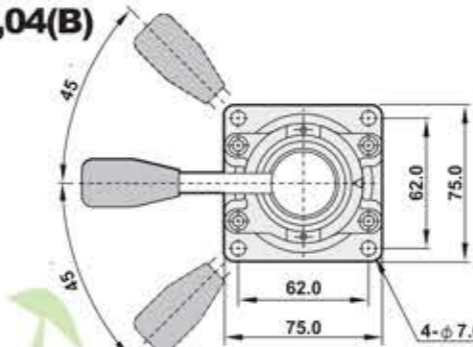
Model	TSV30043(2)-02	TSV30043(2)-03	TSV30043(2)-04
Port size	1/4"	3/8"	1/2"
Body material	Aluminum alloy		
Panel dimension	M40 x P1.5 (For panel mounting only)		
Fluid	Compressed air		
Sectional area	18mm ²		
Operating pressure range	0 ~ 9 kgf/cm ²		
Max. operating pressure	10kgf/cm ²		
Ambient temperature	-10°C ~ 60°C		
Net weight	600g	580g	560g

Dimensions

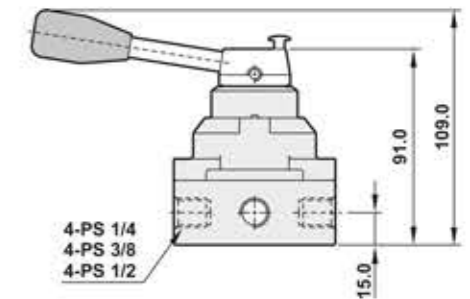
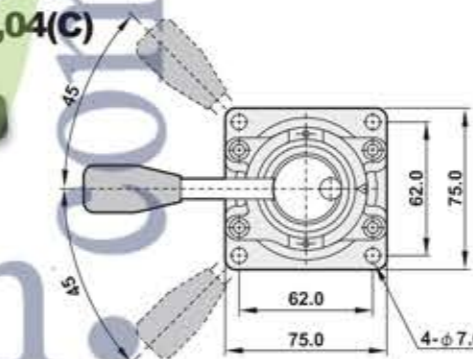
TSV30043-02,03,04



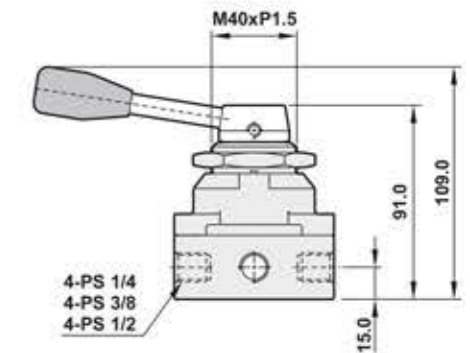
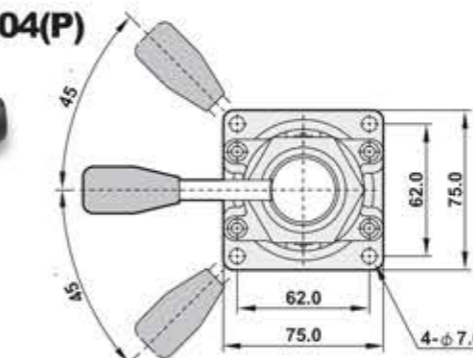
TSV30043-02,03,04(B)



TSV30043-02,03,04(C)



TSV30043-02,03,04(P)



Penoresan.com