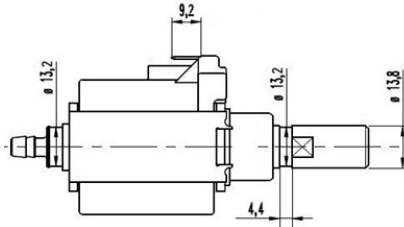
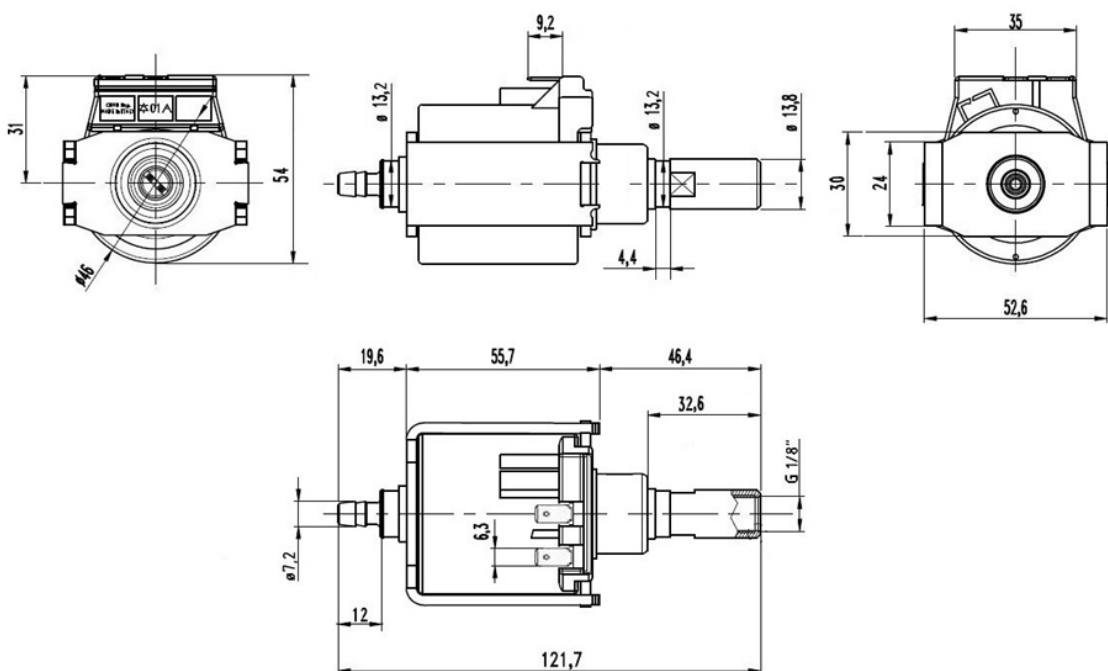


Family pump E500 - LOW pressure

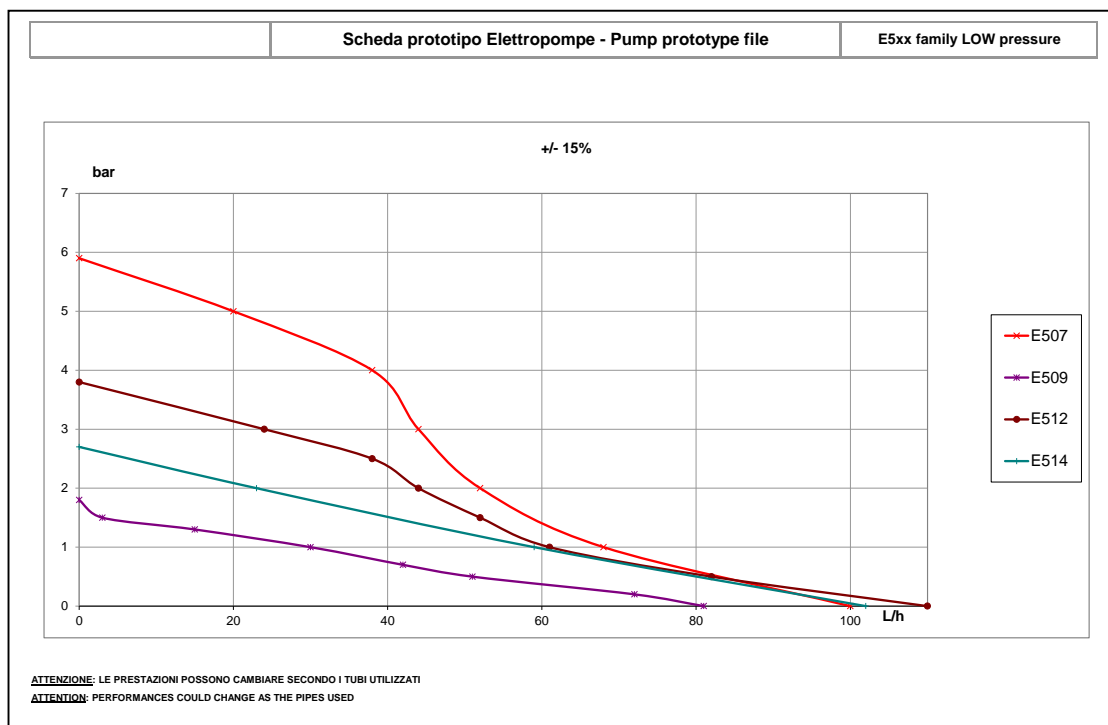


- Class: see the table below
- Electrical insulation, class II
- ED: see the table below
- Diode integrated except for 12-24V

Technical data		
Body material		PA66 (option PPH or PPA) + PPS
Seal material		EPDM (option NBR-Viton)
Piston material		Stainless steel
Electrical connect		6,3 x 0,8 fast-on terminal
Insulation class		F/A
Suction power		100mbar



Pump model					
model	Voltage	ON/OFF	Coil power	Class	certificates
E512, E514	230V/50Hz	ED 100%	32W	F	VDE
E512, E514	120V/60Hz	1/1,5	32W	A	UL
E512	208-240V 50/60Hz	1/2	46-60W/38-54W	F	UL
E509	230V/50Hz	ED 100%	18W	F	VDE
E507	230V/50Hz	2/1	46W	F	VDE
E507	120V/60Hz	1/2	46W	A	UL
E507	24V/50Hz	2/1	46W	F	CE



NOTE / NOTES

“Tutte le tipologie di pompe sono progettate e verificate utilizzando come fluido l’acqua. Sconsigliamo stoccaggi lunghi e/o temperature di magazzino elevate soprattutto con pompe prive di acqua all’interno: in questi casi vi suggeriamo di contattare il nostro ufficio tecnico per consigli in proposito ad evitare malfunzionamenti delle pompe.”

“All types of pumps are designed and tested using water as the fluid. We do not recommend stocks long and/ or high storage temperatures above pump without water inside: in these cases we suggest that you contact the technical department for advice in this regard to prevent malfunction of the pump.”