

# Pressure switches type DG

Electro-hydraulic pressure switches are devices, which, when set under pressure close or open electrical contacts. They are widely used in applications where it is intended that, once a pre-set pressure is achieved and exceeded, an electrical switching command or signal should be triggered for further working cycles.

Many different versions (with pressure setting on a dial, with main and secondary switch, screw-on pressure switches) enable their use in many applications.

There is a design related difference of 8 ... 20 % between the upper switching point and the lower switching point. Only the electronic

pressure switch type DG 5 E gives provision to select two independant switch points and to set the hysteresis.

Type DT is an analogous pressure sensor.



**Nomenclature:** Spring loaded pressure switch (piston type)  
Electr. pressure switch

**Design:** Manifold mounting version  
Screw-in version  
Version for pipe connection

**P<sub>max</sub>:** 0 ... 700 bar

**P<sub>max</sub>:** 0 ... 1000 bar

## Basic types and general parameters

Basic type and size	Brief description	Adjustable pressure P <sub>max</sub> (bar) <sup>1)</sup>	Connection thread (BSPP)	Symbol
DG 1 R	Adjustment via turn-knob at the dial	20 ... 600	G 1/2 or G 1/4 A	
DG 8	Version with two pressure switches Main switch: Adjustment via turn-knob at the dial Secondary switch: Adjustment via set screw	20 ... 600 and 20 ... 180	G 1/2 or G 1/4 A	
DG 3..	Compact design for manifold mounting Adjustment via set screw	4 ... 700	G 1/4 or G 1/4 A <sup>2)</sup>	
DG 5 E	Electronic pressure switch with two	0 ... 600	G 1/4 A	
DG 6.	switch points	0 ... 400	G 1/4 A or M 5	
DT 11	Analogous pressure sensor	0 ... 1000	G 1/4 A	
DT 2		0 ... 600		

<sup>1)</sup> The max. operation pressure of 700 bar is not influenced by the max. set pressure

<sup>2)</sup> For versions with adapter only

**Additional versions**

- Pressure switches with bezel for switch board installation (DG 1)
- Pressure switches with various connection threads or connection pipe (DG 3.)
- Lockable adjustment knob type DG 3 (see also section "Further information")

- Supply voltage 12 V DC, 24 V DC, 230 V AC 50/60 Hz
- Combination with various fittings (see also section "Further information")

**Order examples**

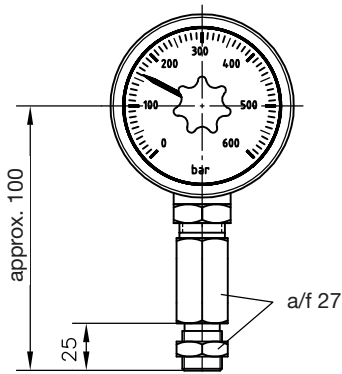
**DG 1 R**  
Pressure switch type DG 1, pressure range 40...160 bar

**DG 35**  
Pressure switch type DG 3, pressure range 20...210 bar

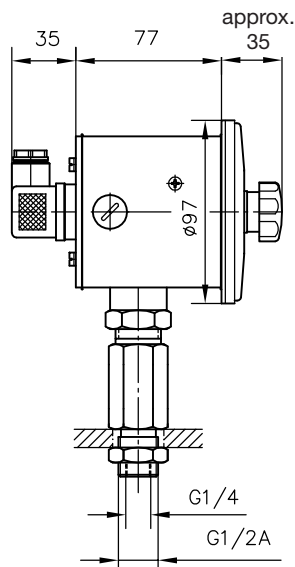
**DG 64**  
Pressure switch type DG 6, pressure range 0...400 bar

**Dimensions**

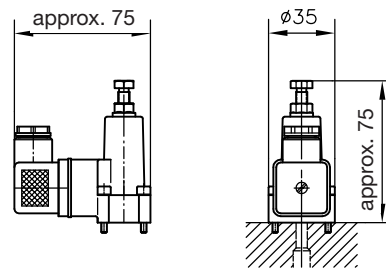
**Type DG 1 R**  
(see order examples)



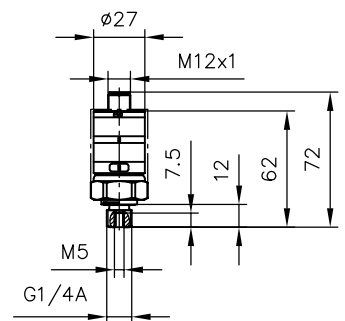
**Type DG 8**



**Type DG 3 ..**  
(see order examples)

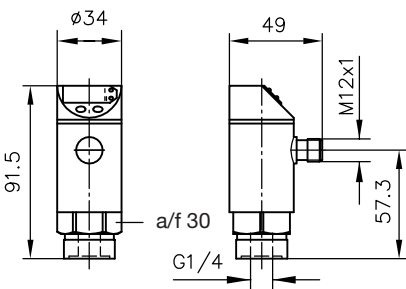


**Type DG 6.**  
(see order examples)

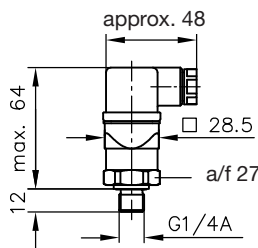


G = BSPP

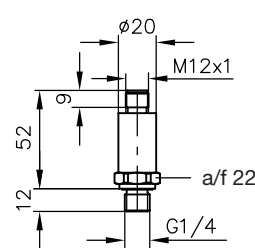
**Type DG 5 E**



**Type DT 11**



**Type DT 2**



Basic type	m (kg)
DG 1 R	1.3
DG 8	1.35
DG 3..	0.3
DG 5 E	0.25
DT 11	0.08
DT 2	0.70

All dimensions in mm, subject to change without notice!

**Further information**

- |                              |            |            |
|------------------------------|------------|------------|
| • Pressure switches          | type DG    | D 5440     |
| • Fittings                   | type X     | D 7065     |
|                              | type X84   | D 7077     |
| • Electronic pressure switch | type DG 5E | D 5440 E/1 |
|                              | type DG 6  | D 5440 F   |
| • Analogous pressure sensor  | type DT 11 | D 5440 T/2 |
|                              | type DT 2  | D 5440 T/1 |

- See also section "Devices for special applications" (Hydraulics for clamping purposes, Press controls, Devices for up to 700 bar)

For page and section of the devices additionally listed, see type index