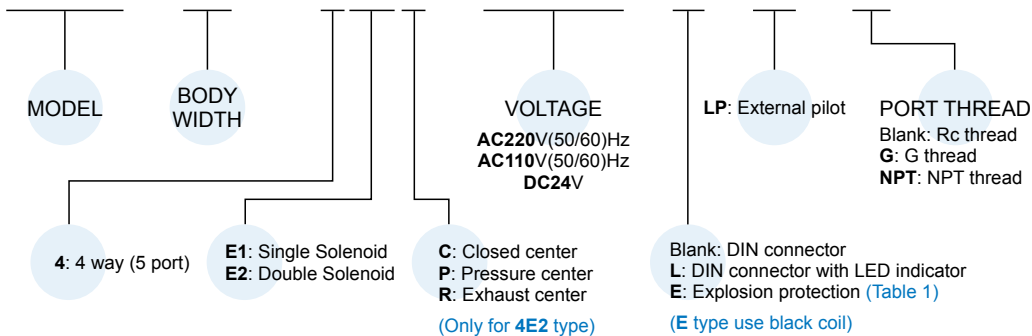


### Specification

Model	4E1	4E2	4E2 C.P.R
Bore No.	8A		
Port size	Rc1/4		
No. of port	5		
No. of position	2	3	
Medium	Air		
Operating perssure range	0.2~0.8 MPa	0.3~0.8 MPa	
Operating pressue (LP)	0~0.8 MPa		
External pilot pressure (LP)	0.2~0.8 MPa	0.3~0.8 MPa	
Proof pressure	1 MPa		
Effective orifice	18 mm <sup>2</sup>	16 mm <sup>2</sup>	
Reponse time	40 ms		
Ambient temperature	-5~+50°C (No freezing)		
Voltage	AC110V, 220V (50/60)Hz, DC24V		
Power consumption	AC=4.8/4.4VA, 6/4.9VA, DC=2W		
Available voltage range	±10%		
Insulation class	F class		
Weight	228 g	314 g	444 g

### Order example of valve

**MVSC – 260 – 4E2C – AC110 – L – LP – G**



### Order example of manifold

**MVSC – 260 – 5B3 – G**

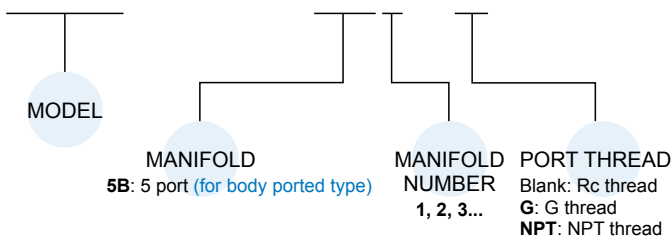
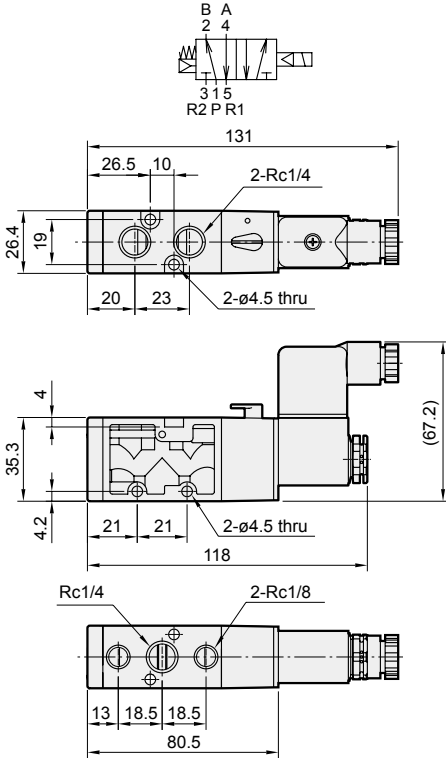


Table 1

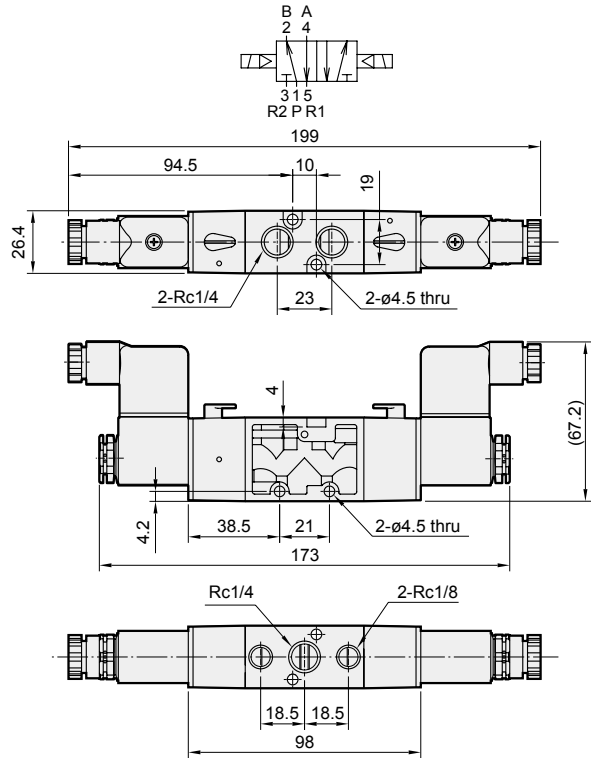
### Property for explosion-proof type

Anti-explosion class	EEx m II T4
Voltage	AC110V, 220V, (50/60)Hz, DC24V.
Power consumption	AC=4.4VA DC=5W
Available voltage range	±10%
Insulation class	F class
Wire length	3 m

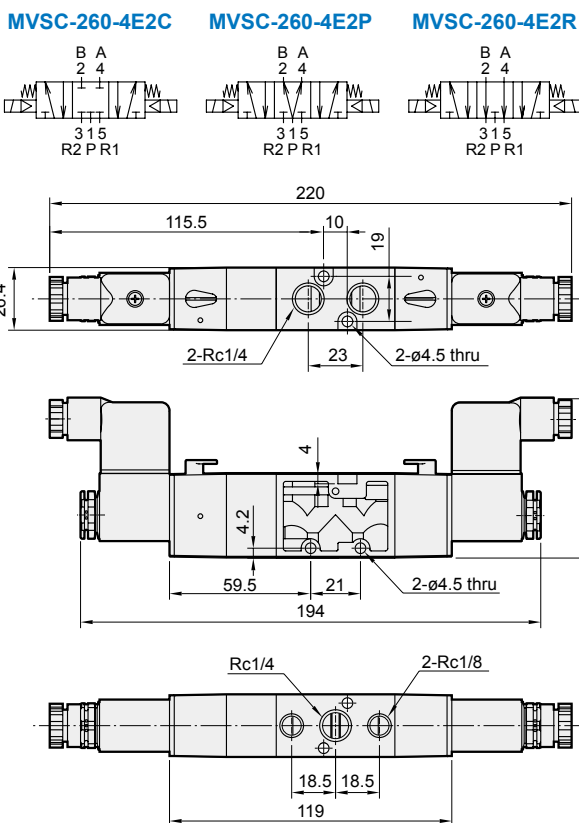
### MVSC-260-4E1



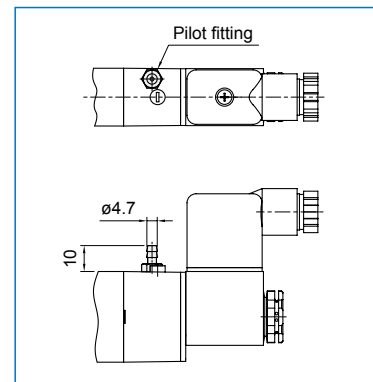
### MVSC-260-4E2



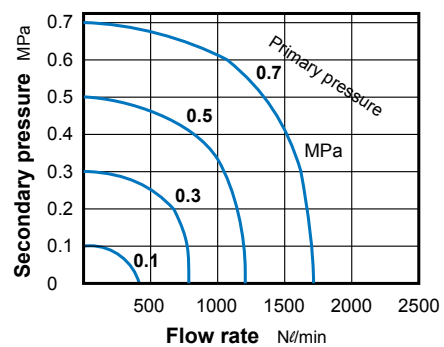
### MVSC-260-4E2C.P.R



### LP

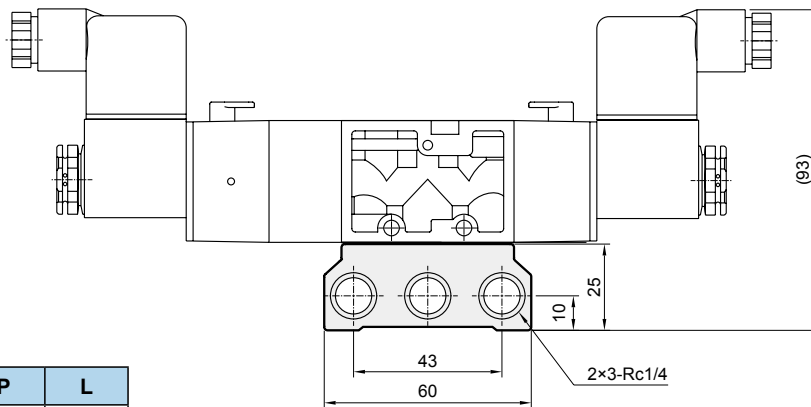
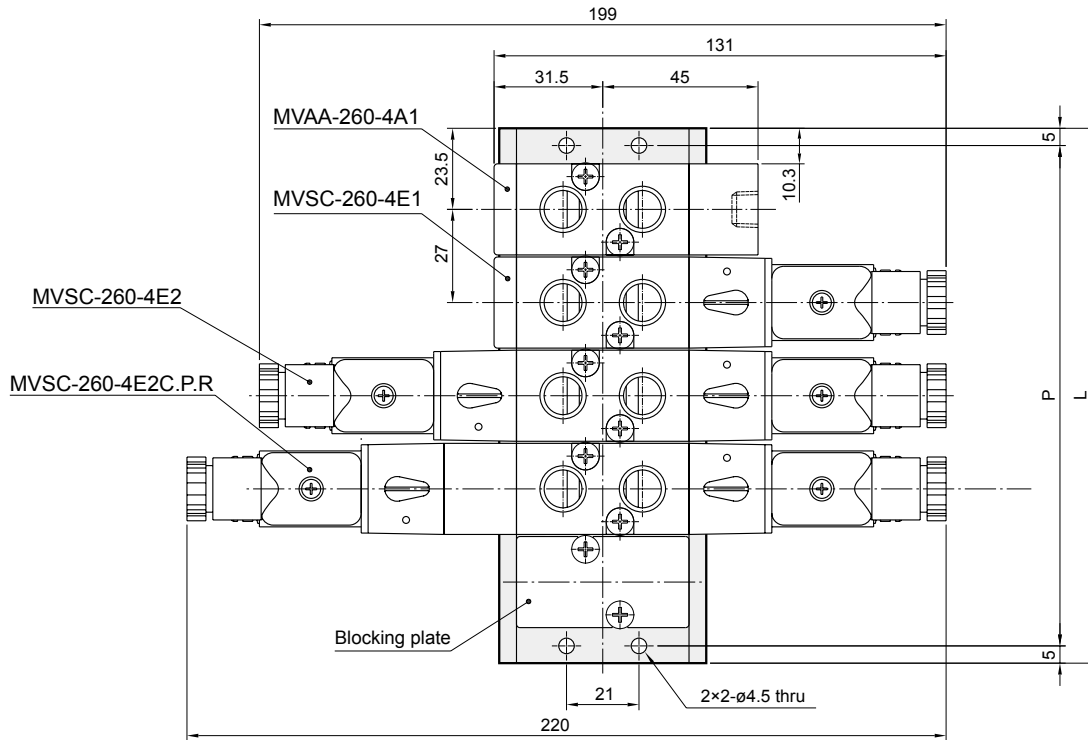


### Flow features



### MVSC-260-5B\*

5 port (for body ported type)



No. of stations	P	L
2	64	74
3	91	101
4	118	128
5	145	155
6	172	182
7	199	209
8	226	236
9	253	263
10	280	290