

General Purpose Solenoid Valves S1010 Series (G1/8", G1/4")

GENERAL FEATURES

- Wide pressure range, a flow rate and orifice options.
- Solenoid valves are used with the filter.
- Solenoid valves can be mounted in any position without affecting its operation.
- Coil to be used in a vertical position.

ELECTRICAL CHARACTERISTICS

| | |
|--------------------------|--|
| Continuous Duty | : ED %100 |
| Coil Insulation Class | : H (180°C)(IEC 85) |
| Coil Impregnation | : Polyester Fiber Glass |
| Ambient Temperature | : -10°C, +60°C |
| Protection Degree | : IP65 (ISO 60529) On request; IP68 |
| Electric Plug Connection | : DIN 46340 3- Poles Connector (DIN43650) |
| Connector Specification | : ISO 4400 / EN 175301-803 Form A, Spade Plug (Cable Ø6-8 mm) |
| Electrical Safety | : IEC 335 |
| Standard Voltages | : AC 12V 15VA, 24V 15VA, 48V, 15VA, 110V 15VA, 230V 15VA, 230V 24VA DC 12V 18W, 24V 18W, 48V,18W, 110V 18W |

On request other voltages

Voltages Tolerance : AC -15%, +10% DC -5%, +10%

Frequency : 50 Hz (60 Hz...)

On request; Connector with LED, PWM Socket Specify coil voltage with order

MATERIALS IN CONTACT WITH FLUID

| | |
|---------------------------|--------------------------------|
| Body | : Brass |
| Internal Parts | : Stainless Steel |
| Sealing | : NBR(On request; EPDM, VITON) |
| Shading Ring | : Copper (EN 12735-1) |
| Seats, Core Tube, Springs | : Stainless Steel |

OPTIONS

- Female connection: BSP; (On request NPT)
- On request CR-Ni plated, PTFE coated done
- On request Atex (exproof) coil.

TECHNICAL FEATURES

Max. Viscosity : 5°E (-37cST veya mm²/s)

Response Time : Opening time : 30 ms

Closing Time : 30 ms

SEALS FEATURES

NBR : -10°C...+80°C

EPDM : -10°C...+130°C

VITON : -10°C...+160°C

PTFE : -10°C...+180°C

RUBY : -10°C...+160°C



NORMALLY CLOSED

2/2 WAY

DIRECT ACTING

ΔP=0



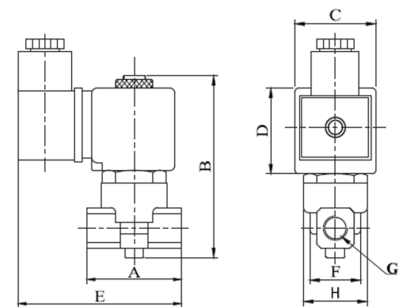
WATER



AIR



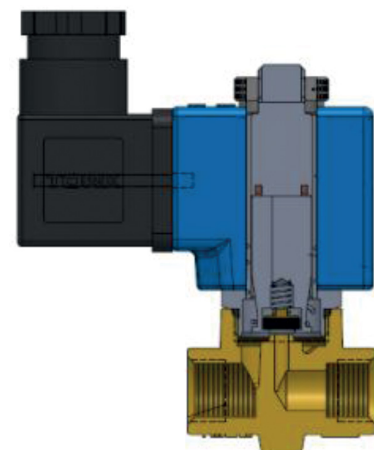
GAS



Dimensions (mm)

| | G | A | B | C | D | E | F | H |
|------|----|----|----|----|----|------|------|---|
| 1/8" | 40 | 83 | 32 | 39 | 78 | 22.3 | 25.6 | |
| 1/4" | 40 | 83 | 32 | 39 | 78 | 22.3 | 25.6 | |

| Coils | Nominal Values | Cold/Hot | Inrush | Holding | Current (A) | Surface Temperature (°C) |
|---------------|----------------|----------|--------|---------|-------------|--------------------------|
| C40012VDC18W | 12VDC 18W | COLD | 19,56 | 19,56 | 1,63 | 20 |
| | | HOT | 14,52 | 14,52 | 1,21 | 106 |
| C40024VDC18W | 24VDC 18W | COLD | 20,88 | 20,88 | 0,87 | 25 |
| | | HOT | 14,64 | 14,64 | 0,61 | 116 |
| C40110VDC18W | 110VDC 18W | COLD | 19,96 | 19,96 | 0,18 | 23 |
| | | HOT | 13,56 | 13,56 | 0,123 | 115 |
| C40012VAC15VA | 12VAC 15VA | COLD | 23,81 | 16,43 | 1,3 | 25 |
| | | HOT | - | 15,86 | 1,262 | 79 |
| C40024VAC15VA | 24VAC 15VA | COLD | 25,82 | 15,02 | 0,62 | 22 |
| | | HOT | - | 13,91 | 0,57 | 81 |
| C40110VAC15VA | 110VAC 15VA | COLD | 30,65 | 15,17 | 0,137 | 24 |
| | | HOT | - | 13,96 | 0,126 | 80 |
| C40230VAC15VA | 230VAC 15VA | HOT | 31,4 | 15,64 | 0,068 | 25 |
| | | HOT | - | 14,41 | 0,063 | 80 |
| C40230VAC24VA | 230VAC 24VA | COLD | 45,1 | 23,92 | 0,0154 | 23 |
| | | HOT | - | 21,62 | 0,0154 | 100 |



| Solenoid Valve Symbol | Valve Type/Order No | Connection Size | Orifice Size | Pressure min/max | | Kv | Seal | | | Weight |
|-----------------------|---------------------|-----------------|--------------|------------------|-----|-------|-------|---------|-------|--------|
| | | | | Bar | Bar | | Lt/dk | NBR | Viton | |
| | S1010 | G | mm | Bar | Bar | Lt/dk | NBR | Opsiyon | | kg |
| | | | | | | | | Viton | EPDM | |
| | S1010.00.018 | 1/8" | 1.8 | 0 | 16 | 1.6 | ✓ | ✓ | ✓ | 0,36 |
| | S1010.00.025 | 1/8" | 2.5 | 0 | 12 | 3.2 | ✓ | ✓ | ✓ | 0,36 |
| | S1010.00.030 | 1/8" | 3 | 0 | 10 | 4.6 | ✓ | ✓ | ✓ | 0,36 |
| | S1010.00.040 | 1/8" | 4 | 0 | 9 | 6.4 | ✓ | ✓ | ✓ | 0,36 |
| | S1010.00.050 | 1/8" | 5 | 0 | 7 | 9.2 | ✓ | ✓ | ✓ | 0,36 |
| | S1010.00.060 | 1/8" | 6 | 0 | 5 | 11 | ✓ | ✓ | ✓ | 0,36 |
| | S1010.01.018 | 1/4" | 1.8 | 0 | 16 | 1.6 | ✓ | ✓ | ✓ | 0,35 |
| | S1010.01.025 | 1/4" | 2.5 | 0 | 12 | 3.2 | ✓ | ✓ | ✓ | 0,35 |
| | S1010.01.030 | 1/4" | 3 | 0 | 10 | 4.6 | ✓ | ✓ | ✓ | 0,35 |
| | S1010.01.040 | 1/4" | 4 | 0 | 9 | 6.4 | ✓ | ✓ | ✓ | 0,35 |
| S1010.01.050 | 1/4" | 5 | 0 | 7 | 9.2 | ✓ | ✓ | ✓ | 0,35 | |
| S1010.01.060 | 1/4" | 6 | 0 | 5 | 11 | ✓ | ✓ | ✓ | 0,35 | |

STANDARDS

- Standard tube connection G (BSP) (ISO 228-1) and other tube connections (NPT (ANSI 1.20.3)) are available on request.
- TORK solenoid valves 97/23/EC, are available for pressure equipment directive (PED) and 2006/95/ECC low voltage directive (LVD).

Not: Please look catalogues for more details

General Purpose Solenoid Valves S1010 Series (G3/8", G1/2", G3/4", G1", G1 1/4", G1 1/2", G2")

GENERAL FEATURES

- Wide pressure range, flow rate and orifis options.
- Solenoid valvs are used with filters.
- Solenoid valves can be mounted in any position without affecting its operation.
- Coil to be used in a vertical position.

ELECTRICAL CHARACTERISTICS

| | |
|--------------------------|--|
| Continuous Duty | : ED %100 |
| Coil Insulation Class | : H (180°C)(IEC 85) |
| Coil Impregnation | : Polyester Fiber Glass |
| Ambient Temperature | : -10°C, +60°C |
| Protection Degree | : IP65 (ISO 60529) On request;IP68 |
| Electric Plug Connection | : DIN 46340 3- Poles Connector(DIN43650) |
| Connector Specification | : ISO 4400 / EN 175301-803 Form A, Spade Plug (Cable Ø6-8 mm) |
| Electrical Safety | : IEC 335 |
| Standard Voltages | : AC 12V 15VA, 24V 15VA, 48V, 15VA, 110V 15VA, 230V 15VA, 230V 24VA DC 12V 18W, 24V 18W, 48V,18W, 110V 18W |

On request other voltages

Voltages Tolerance : AC -15%, +10% DC -5%, +10%

Frequency : 50 Hz (60 Hz...)

On request; Connector with LED, PWM Socket

Specify coil voltage with order

MATERIALS IN CONTACT WITH FLUID

| | |
|---------------------------|--------------------------------|
| Body | : Brass |
| Internal Parts | : Stainless Steel, Brass |
| Sealing | : NBR(On request; EPDM, VITON) |
| Shading Ring | : Copper (EN 12735-1) |
| Seats, Core Tube, Springs | : Stainless Steel |

OPTIONS

Female connection: BSP; (On request NPT)

- On request CR-Ni plated, PTFE coated done
- On request Atex (exproof) coil.

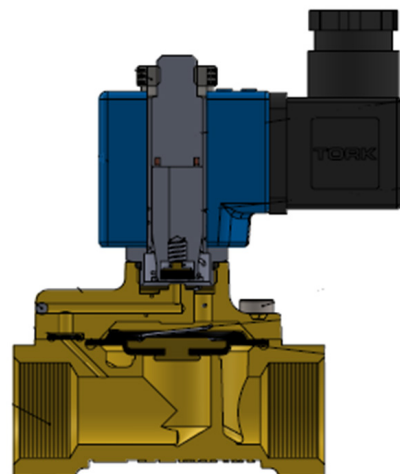
TECHNICAL FEATURES

Max. Viscosity : 5°E (-37cST veya mm²/s)

Response Time : Opening time : 400 ms- 1600 ms
Closing Time : 1000 ms- 2000 ms

SEALS FEATURES

| | |
|-------|------------------|
| NBR | : -10°C...+80°C |
| EPDM | : -10°C...+130°C |
| VITON | : -10°C...+160°C |
| PTFE | : -10°C...+180°C |
| RUBY | : -10°C...+160°C |



NORMALLY CLOSED

2/2 WAY

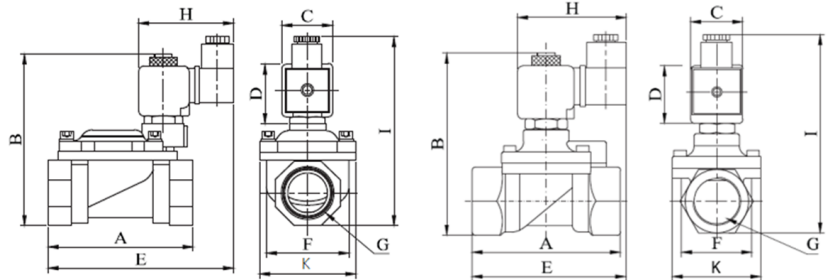
PILOT OPERATED

$\Delta P=0.5$



Dimensions (mm)

| | G | A | B | C | D | E | H | I | K |
|--------|-------|-------|----|----|------|----|-------|-------|---|
| 3/8" | 72 | 97.7 | 32 | 45 | 94.8 | 76 | 109 | 52.5 | |
| 1/2" | 80 | 99.2 | 32 | 45 | 96.2 | 76 | 110.5 | 52.5 | |
| 3/4" | 78 | 106 | 32 | 45 | 97.2 | 76 | 117.3 | 52.5 | |
| 1" | 85 | 112.5 | 32 | 45 | 98.7 | 76 | 123.8 | 52.5 | |
| 1 1/4" | 160.5 | 124.5 | 32 | 45 | - | 76 | 135.8 | 72 | |
| 1 1/2" | 128.5 | 137 | 32 | 45 | - | 76 | 148.3 | 95 | |
| 2" | 149 | 149 | 32 | 45 | - | 76 | 160.3 | 109.7 | |



| Coils | Nominal Values | Cold/ Hot | Inrush | Holding | Current (A) | Surface Temperature (°C) |
|---------------|----------------|-----------|--------|---------|-------------|--------------------------|
| C40012VDC18W | 12VDC 18W | COLD | 19,56 | 19,56 | 1,63 | 20 |
| | | HOT | 14,52 | 14,52 | 1,21 | 106 |
| C40024VDC18W | 24VDC 18W | COLD | 20,88 | 20,88 | 0,87 | 25 |
| | | HOT | 14,64 | 14,64 | 0,61 | 116 |
| C40110VDC18W | 110VDC 18W | COLD | 19,96 | 19,96 | 0,18 | 23 |
| | | HOT | 13,56 | 13,56 | 0,123 | 115 |
| C40012VAC15VA | 12VAC 15VA | COLD | 23,81 | 16,43 | 1,3 | 25 |
| | | HOT | - | 15,86 | 1,262 | 79 |
| C40024VAC15VA | 24VAC 15VA | COLD | 25,82 | 15,02 | 0,62 | 22 |
| | | HOT | - | 13,91 | 0,57 | 81 |
| C40110VAC15VA | 110VAC 15VA | COLD | 30,65 | 15,17 | 0,137 | 24 |
| | | HOT | - | 13,96 | 0,126 | 80 |
| C40230VAC15VA | 230VAC 15VA | COLD | 31,4 | 15,64 | 0,068 | 25 |
| | | HOT | - | 14,41 | 0,063 | 80 |
| C40230VAC15VA | 230VAC 24VA | COLD | 45,1 | 23,92 | 0,0154 | 23 |
| | | HOT | - | 21,62 | 0,0154 | 100 |

| Solenoid Vave Symbol | Valve Type/ Order No | Connection Size | Orifce Size | Pressure min/max | | Kv | Seal | | | Weight |
|----------------------|----------------------|-----------------|-------------|------------------|-----|-------|------|---------|------|--------|
| | | | | Bar | Bar | | NBR | Viton | EPDM | |
| | S1010 | G | mm | Bar | Bar | Lt/dk | | Opsiyon | | kg |
| | | | | | | | | Viton | EPDM | |
| | S1010.02.125 | 3/8" | 12.5 | 0.5 | 16 | 48 | ✓ | ✓ | ✓ | 0,69 |
| | S1010.03.145 | 1/2" | 14.5 | 0.5 | 16 | 70 | ✓ | ✓ | ✓ | 0,73 |
| | S1010.04.170 | 3/4" | 17 | 0.5 | 16 | 90 | ✓ | ✓ | ✓ | 0,81 |
| | S1010.05.170 | 1" | 17 | 0.5 | 16 | 90 | ✓ | ✓ | ✓ | 0,98 |
| | S1010.06.300 | 1 1/4" | 30 | 0.5 | 12 | 250 | ✓ | ✓ | ✓ | 2,65 |
| | S1010.07.390 | 1 1/2" | 39 | 0.5 | 12 | 370 | ✓ | ✓ | ✓ | 2,55 |
| S1010.08.460 | 2" | 46 | 0.5 | 12 | 450 | ✓ | ✓ | ✓ | 2,98 | |

STANDARDS

- Standard tube connection G (BSP) (ISO 228-1) and other tube connections (NPT (ANSI 1.20.3)) are available on request.
- TORK solenoid valves 97/23/EC, are available for pressure equipment directive (PED) and 2006/95/ECC low voltage directive (LVD).

Not: Please look catalogues for more details