

Plastic Head Stainless Steel Angle Valve 15/20/25/32/40/50



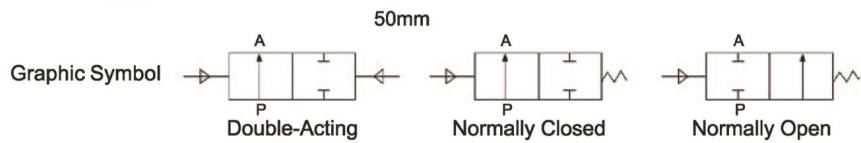
How to Order

15

Port Size
15mm
20mm
25mm
32mm
40mm



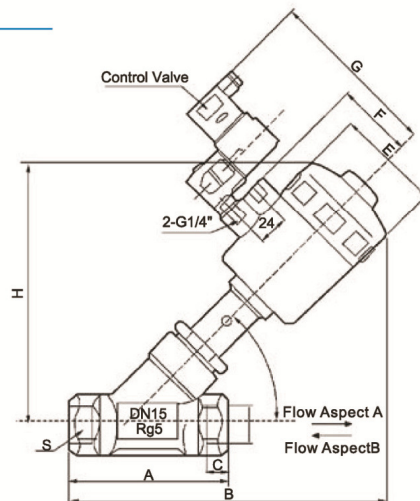
Type
SC:Single Action Normal Close
DO:Double Action Normal Open



Specification

Orifice Size	15	20	25	32	40	50
Port size	G1/2"	G3/4"	G1"	G1-1/4"	G1-1/2"	G2"
KV Value(m ³ /h)	4.2	8	19	27.5	42	55
Max.Working Pressure(Mpa)	0~1.6	0~1.1	0~1.1	0~1.5	0~1.25	0~1.0
Min.Pilot Pressure(Mpa)	0.39	0.39	0.42	0.5	0.44	0.4
Polyamide	50	50	63	63	63	80
Medium Temperature	-10~+180°C					
Flow Direction	A(Flow Direction Below The Seat) or B(Flow Direction above The Seat)					

Overall Dimensions



Dimension Sheet

Orifice Size (mm)	Port size	Actuator Size(φ mm)		A	B		C	φ E		F		G		H		L	S
		Polyamide	Aluminum Alloy		Polyamide	Aluminum Alloy		Polyamide	Aluminum Alloy	Polyamide	Aluminum Alloy	Polyamide	Aluminum Alloy				
15	G1/2"	50	-	85	173	-	12	64	-	44	-	112	-	137	-	33	27
20	G3/4"	50	-	95	178	-	12	64	-	44	-	112	-	145	-	35	23
25	G1"	63	-	105	212	-	14	80	-	52	-	120	-	173	-	40	41
32	G1-1/4"	63	100	118	236	278	16	80	140	52	70	120	138	189	250	35	55
40	G1-1/2"	63	100	130	230	270	18	80	140	52	70	120	138	189	250	35	55
50	G2"	80	125	150	238	300	20	100	170	52	83	120	151	250	280	38	70

Full Stainless Steel Angle Valve DN10 15 20 25 32 40 50



How to Order

10

40



Port Size

10:G3/8"
15:G1/2"
20:G3/4"
25:G1"
32:G1-1/4"
40:G1-1/2"
50:G2"

Actuator Size

40:40mm
50:50mm
63:63mm
80:80mm
100:100mm

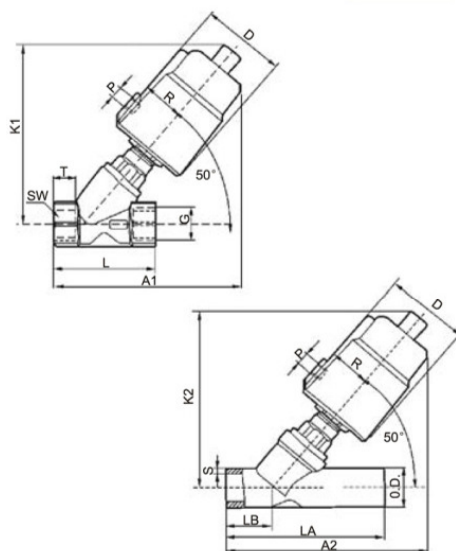
Type

SC:Single Action
Normal Close
SO:Single Action
Normal Open
DC:Double Action
Normal Close
DF:Double Action
Free Installation

Specification

Model	10-50SC/SO/DC/DF		
Port size	DN10-DN50		
Thread	G3/8"-G2"		
Welded	DIN11850	2 DIN11850	3 ISO2037
Valve body	CF8M		
Actuator	CF8		
Seat seals	PTFE		
Stem seals	PTFE/FKM		
Piston seals	FKM/NBR		
Applicable medium	Water, liquid, neutral gas, water steam Slight corrosive gas and liquid		
Temperature range	PTFE:-10°C to +180°C		
Ambient temperature	-10°C to +60°C		
Viscosity	max600mm ² /s		
Installation	Any position		
Controlling medium	Air or neutral gas		
Controlling pressure range	0.3-1M		

Overall Dimensions



Dimension Sheet

Specification	Actuator (mm)	D	R	P	Thread						Welded					
					G	K1(mm)	A1(mm)	L(mm)	T(mm)	SW(mm)	OD(mm)	K2(mm)	A2(mm)	LA(mm)	LB(mm)	S(mm)
DN10	40	45.5	27	G1/8"	G3/8"	115	120	68	12	26.6	-	-	-	-	-	-
DN10	50	60	35	G1/8"	G3/8"	126	133	68	12	26.6	-	-	-	-	-	-
DN15	40	45.5	27	G1/8"	G1/2"	115	120	68	15	26.6	21.3	115	128	110	30	2.65
DN15	50	60	35	G1/8"	G1/2"	126	133	68	15	26.6	21.3	126	140	110	30	2.65
DN20	50	60	35	G1/8"	G3/4"	131	137	75	16	32	26.9	131	136	108	30	3.45
DN25	50	60	35	G1/8"	G1"	140	149	90	17	39.5	33.7	140	150	112	32	3.85
DN25	63	77	43	G1/8"	G1"	165	174	90	17	39.5	33.7	165	175	112	32	3.85
DN32	63	77	43	G1/8"	G1-1/4"	175	188	116	21	50	38	175	193	136	40	3.35
DN32	80	98	52	G1/4"	G1-1/4"	185	203	116	21	50	38	185	206	136	40	3.35
DN32	100	121	63	G1/4"	G1-1/4"	205	215	116	21	50	38	205	218	136	40	3.35
DN40	63	77	43	G1/8"	G1-1/2"	178	190	116	21	55.3	42	178	193	146	40	3.2
DN40	80	98	52	G1/4"	G1-1/2"	187	204	116	21	55.3	42	187	207	146	40	3.2
DN40	100	121	63	G1/4"	G1-1/2"	208	216	116	21	55.3	42	208	219	146	40	3.2
DN50	63	77	43	G1/8"	G2"	184	203	138	22	70	54	184	206	160	45	2.7
DN50	80	98	52	G1/4"	G2"	195	218	138	22	70	54	195	220	160	45	2.7
DN50	100	121	63	G1/4"	G2"	215	230	138	22	70	54	215	232	160	45	2.7