

SINGLE FUNCTION PRESSURE CONTROLS

Type **SNS & HNS**

SAGInoMIYA

GENERAL DESCRIPTION

- For use with fluorinated refrigerants as well as with air and water. (Allowable fluid temp.: -20 to 120°C)
- Type SNS for universal application.
- Type HNS for high pressure safety cut out.
- Available drip proof enclosure for marine application or explosion proof enclosure for special application.
- Mounting bracket is supplied as standard.
- With SPDT contact mechanism.
- IP44 with upper lid (option).
- Ammonia Models: Available upon request.

CE mark applicable (available upon request)

UL recognized (available upon request)



Type SNS



Type HNS

TYPE NUMBER SELECTION (SPECIFICATIONS)

Type SNS—Automatic Reset Type

Unit: MPa {kgf/cm²}

Catalog No.	Range		Differential		Factory Setting		Max. Working Pressure	Contact Function	Wt. (kg)
	Min.	Max.	Min.	Max.	Off (On)	On (Off)			
SNS-C101X	-0.06 {-50cmHg}	0.1 {1}	0.015 {0.15}	0.05 {0.5}	0.025 {0.25}	0.05 {0.5}	0.3 {3}	Diagram 1	0.33
SNS-C102X	-0.02 {-20cmHg}	0.2 {2}	0.025 {0.25}	0.15 {1.5}		0.15 {1.5}	0.5 {5}		
SNS-C103X	-0.06 {-50cmHg}	0.3 {3}	0.035 {0.35}	0.2 {2}	0.05 {0.5}	1 {10}			
SNS-C104X	-0.06 {-50cmHg}	0.4 {4}	0.04 {0.4}		0.1 {1}	0.2 {2}			
SNS-C106X	-0.06 {-50cmHg}	0.6 {6}	0.06 {0.6}	0.2 {2}	0.3 {3}	1.5 {15}			
SNS-C110X	0.1 {1}	1 {10}	0.1 {1}	0.3 {3}	0.4 {4}	0.6 {6}			
SNS-C120X	0.5 {5}	2 {20}	0.2 {2}	0.5 {5}	1.2 {12}	1.5 {15}	3 {30}		
SNS-C130X		3 {30}	0.3 {3}	1 {10}	2 {20}	2.5 {25}	3.3 {33}		
SNS-C135X	1 {10}	3.5 {35}	0.5 {5}	1.5 {15}	2.5 {25}	3 {30}	3.8 {38}		

Type SNS—Manual Reset Type

Unit: MPa {kgf/cm²}

Catalog No.	Range		Manual Reset	* Factory Setting		Max. Working Pressure	Contact Function	Wt. (kg)
	Min.	Max.		Off	On			
SNS-C102XM2	-0.02 {-20cmHg}	0.2 {2}	Automatic operation on pressure decrease, and manual reset.	0.025 {0.25}	manual reset	0.5 {5}	Diagram 2	0.33
SNS-C106XM2	-0.06 {-50cmHg}	0.6 {6}		0.2 {2}		1.5 {15}		
SNS-C130XM2	0.5 {5}	3 {30}		2 {20}		3.3 {33}		

* Based on the 1-3 terminal connection.

Type HNS—Automatic Reset Type

Unit: MPa {kgf/cm²}

Catalog No.	Range		Differential	* Factory Setting		Max. Working Pressure	Contact Function	Wt. (kg)
	Min.	Max.		Off	On			
HNS-C130X	0.8 {8}	3 {30}	0.3 to 0.5 fixed {3 to 5 fixed}	2 {20}	1.6 {16}	3.3 {33}	Diagram 3	0.24

* Based on the 1-3 terminal connection.

Type HNS—Manual Reset Type

Unit: MPa {kgf/cm²}

Catalog No.	Range		Manual Reset	* Factory Setting		Max. Working Pressure	Contact Function	Wt. (kg)
	Min.	Max.		Off	On			
HNS-C130XM1	0.8 {8}	3 {30}	Automatic operation on pressure increase, and manual reset.	2 {20}	manual reset	3.3 {33}	Diagram 4	0.24

* Based on the 1-3 terminal connection.

• Enclosure: IP20

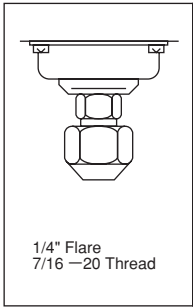
• Drip Proof Models: Available upon request. (Refer to Pages 48, 49.)



ELECTRICAL RATINGS

Rated Voltage (V)		Power Factor (cos φ)	125/250V. AC
Rated Amps. (A)			
Non-Inductive Current		1	12
Inductive Current	Full Load	0.75	
	Locked Rotor	0.45	72

PRESSURE CONNECTIONS



Standard

Refer to Pages 45, 46

CONTACT FUNCTIONS

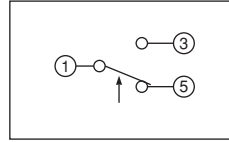


Diagram 1

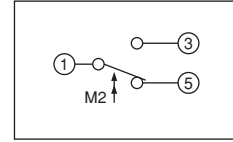


Diagram 2

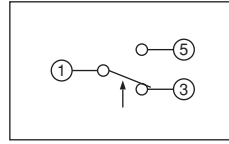


Diagram 3

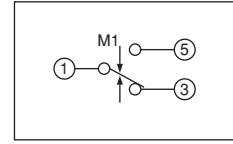


Diagram 4

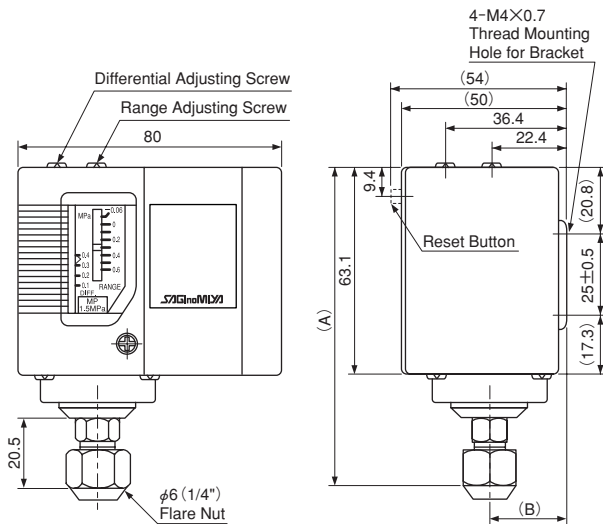
	Diagram 1 & 2	Diagram 3 & 4
1	Common Terminal	Common Terminal
3	Close on Pressure Increase	Open on Pressure Increase
5	Close on Pressure Decrease	Open on Pressure Decrease

↑: Operating direction on press. increase at High Press. Side
M1 ↓, M2 ↑: Operating direction on manual reset

DIMENSIONS

Standard Model

Type SNS



Catalog No.	Unit: mm	
	A	B
SNS-C101X	113.3	22.4
SNS-C102X	99.7	
SNS-C103X		
SNS-C104X		
SNS-C106X	96.8	
SNS-C110X		
SNS-C120X	95.9	18.4
SNS-C130X	93.5	
SNS-C135X		
SNS-C102XM2	99.7	22.4
SNS-C106XM2	96.8	
SNS-C130XM2	93.5	

Type HNS

