

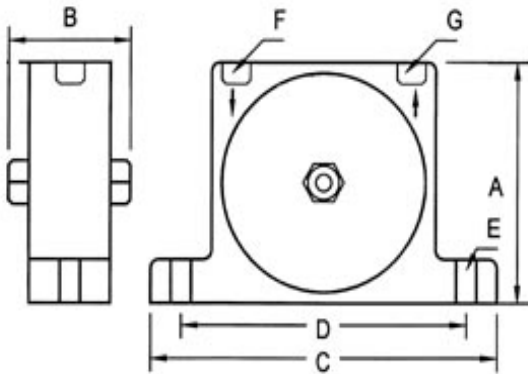
Pneumatic Turbine Vibrator Series VT

- **broad spectrum of vibration**
- **very low noise emission**
- **sleeplessly adjustable**
- **in finitely variable**
- **maintenance-free**
- **oil-free operation**
- **explosion-proof**
- **simple-proof**



The Turbine Vibrator type VT features a turbine made of aluminium, in which lead balancing weights are embedded. The special blade-like turbine profile generates high frequencies and large amplitudes. Since the frequency can be infinitely varied through pressure regulation, the VT offers a broad vibration spectrum and is thus suitable for very many different applications. The high-quality grooved ball bearings are lifetime lubricated and maintenance-free. The VT operates in all assembly positions and with approximately 70 dBA is one of the quietest pneumatic vibrators on the market. Clean and oil-free compressed air is required to ensure long and trouble-free operation.

Pneumatic Turbine Vibrator Series VT



| Type | A mm | B mm | C mm | D mm | E mm | F | G |
|-------------------------|------|------|------|---------|------|------|------|
| VT 7 VT 9 | 55 | 36 | 90 | 68-73 | 7 | 1/8" | 1/8" |
| VT 13 VT 16 VT 17 | 80 | 49 | 128 | 104 | 9 | 1/4" | 1/4" |
| VT 24 VT 31 | 110 | 63 | 170 | 130-140 | 11 | 3/8" | 3/8" |

| Type | frequency 1/min | force N | air L/min |
|-------|-----------------|---------|-----------|
| VT 7 | 41'000 | 1'440 | 85 |
| VT 9 | 32'000 | 1'650 | 105 |
| VT 13 | 26'000 | 3'630 | 180 |
| VT 16 | 18'500 | 4'180 | 225 |
| VT 17 | 16'500 | 4'980 | 235 |
| VT 24 | 12'400 | 6'220 | 325 |
| VT 31 | 11'000 | 8'610 | 350 |

Materials:

body: aluminium anodised
 turbine: aluminium with leaden eights
 cover: stainless steel
 axle: stainless steel
 All vibrators are completely recyclable!

Values measured with no load at 6 bar.
 Technical changes reserved!

Conditionals of application:

temperature of the environment max. 90°C
 air pressure max. 6 bar

Scope of supply: All vibrators are supplied with hose connector and silencer.

Test devices: On request, we can supply a test device for test purposes.

The Turbine Vibrator VT is employed in the following branches of industry:

Mechanical conveying and handling, dosing and sieving, packing industry, chemical, pharmaceutical, food-stuffs and feeding stuffs industries, smelting plants and foundries, mechanical engineering, stone and earthwork, building industry, air conditioning and dust extraction, refuse incineration, powder coating and many others.